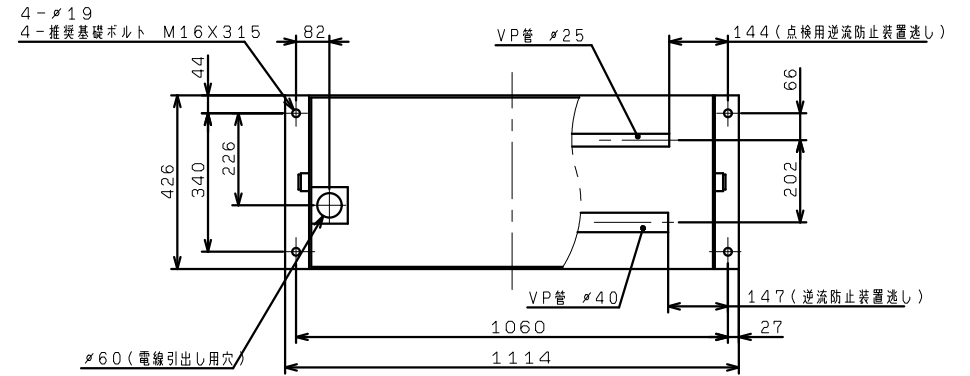
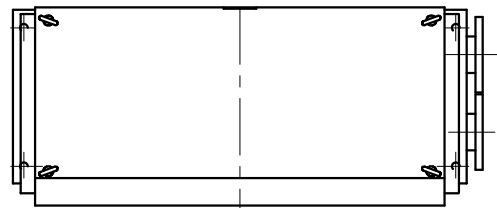


SDP80R2.2A  
 SDP80R3.7A  
 SDP80R5.5A  
 SDP80R7.5A  
 (VC91)



断面A A (本体下部詳細)

