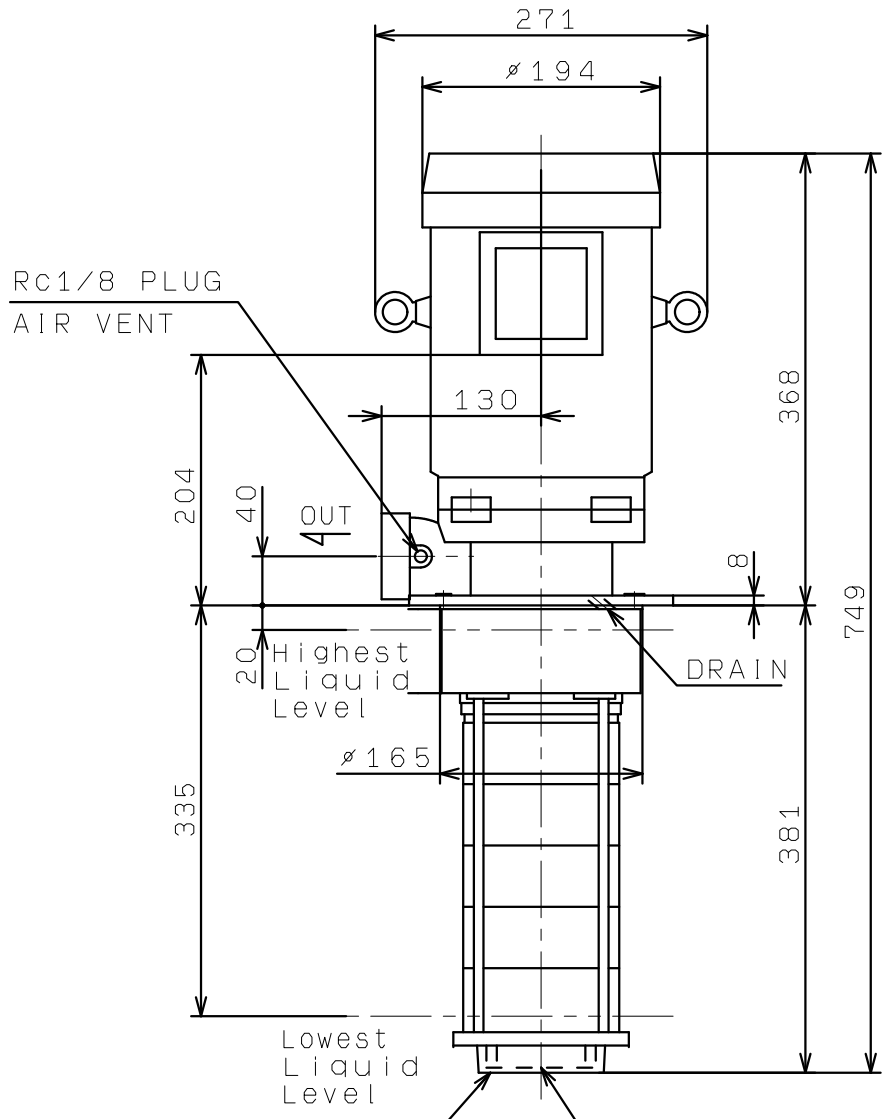
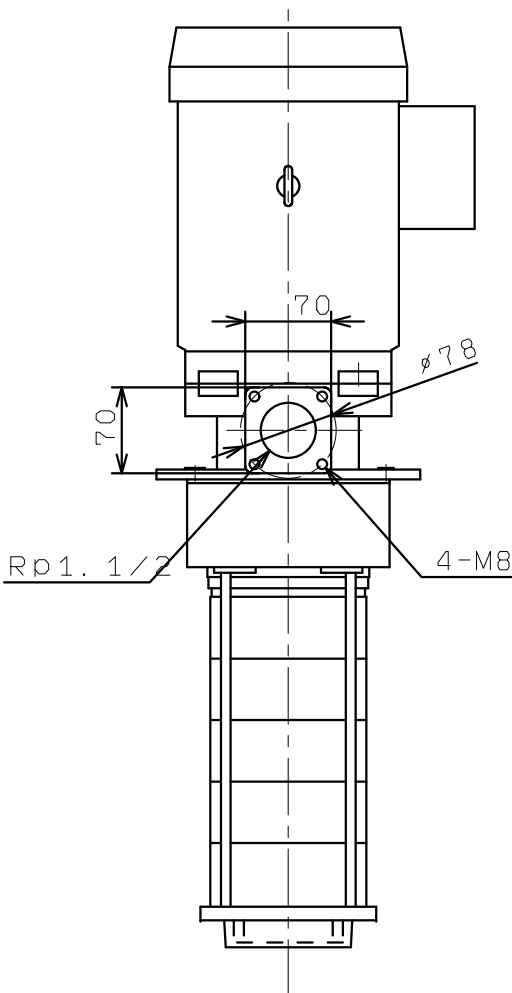
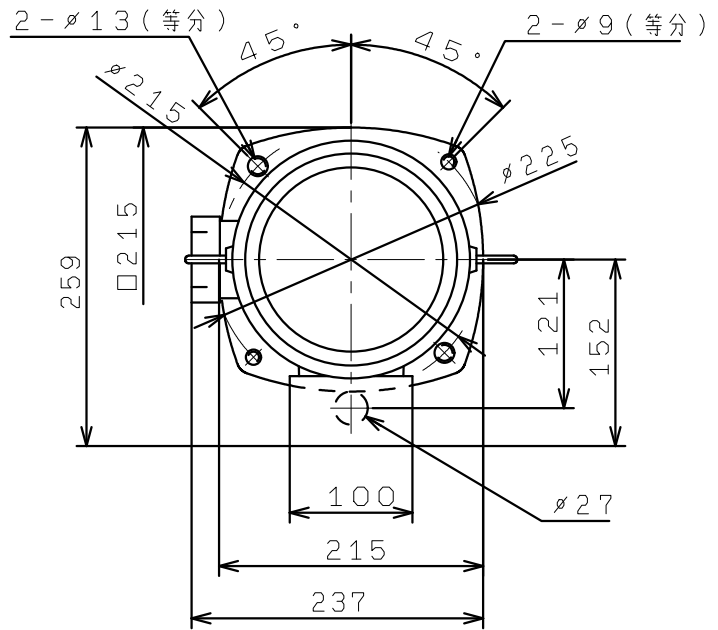


RCE-405AE3.0 RCE-405AE3.0T4
 RCE-406AE3.0 RCE-406AE3.0T4

ROTATION



STRAINER MESH SIZE $\phi 5$ RC2. 1/2