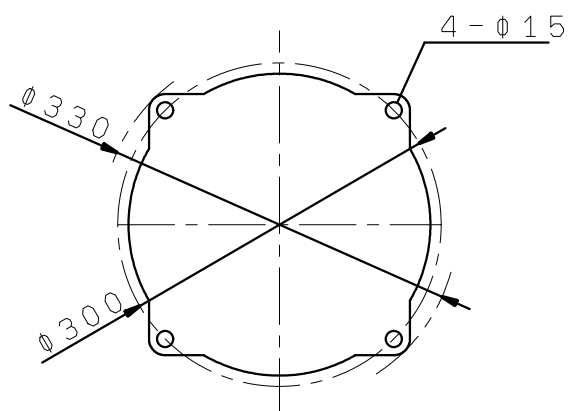
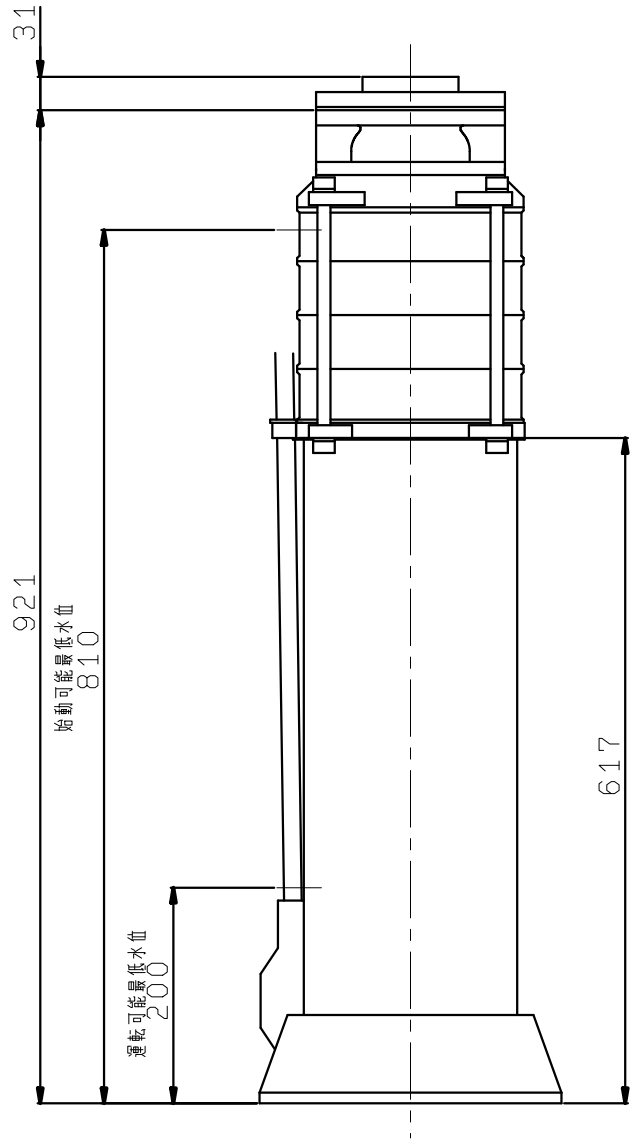
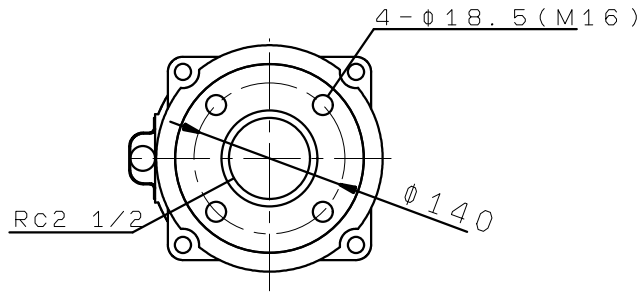
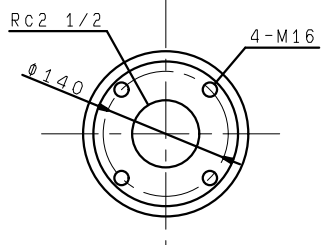
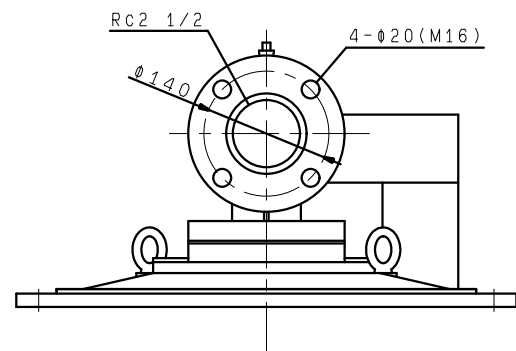
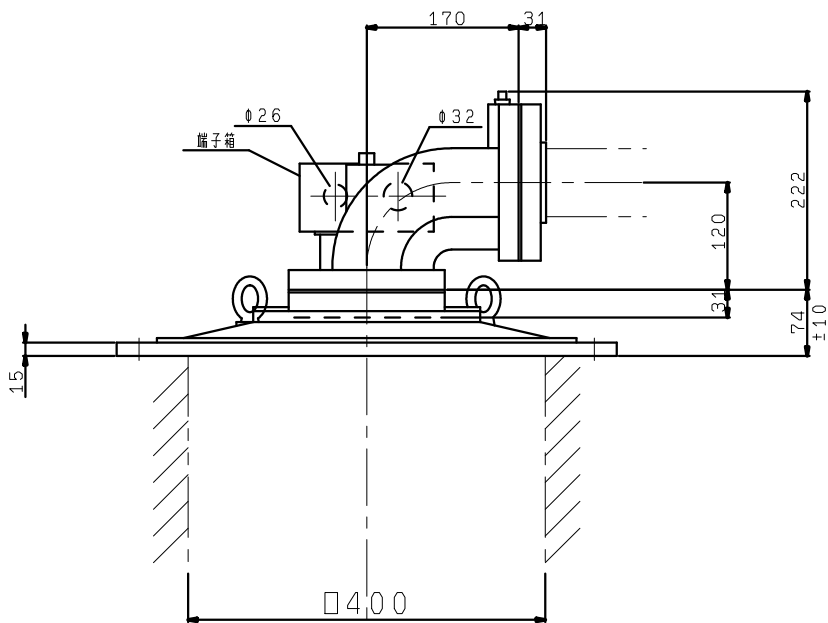
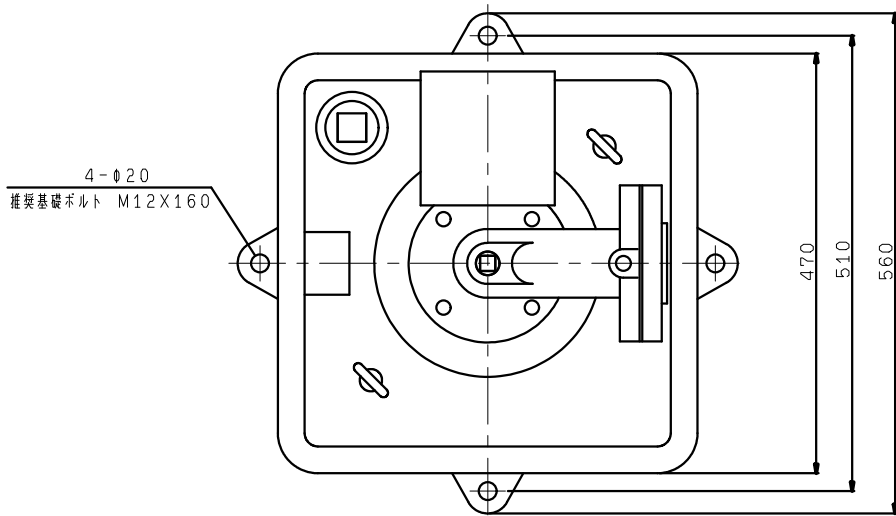


# KTU-655-5.5



# SDK-65-TB



KTU655/656-5.5F  
KTU655/656-7.5F  
(VC41, 42, 44, 45, 74, 75)

