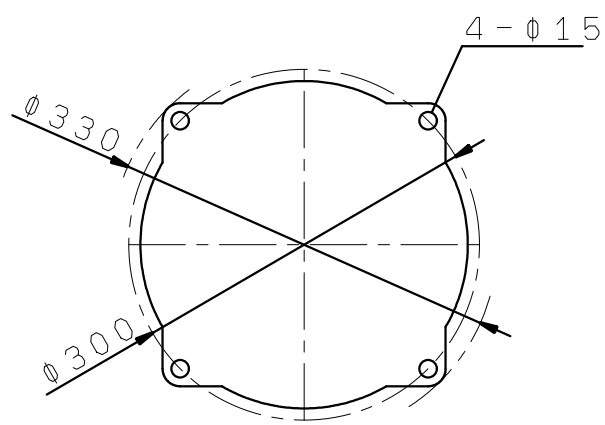
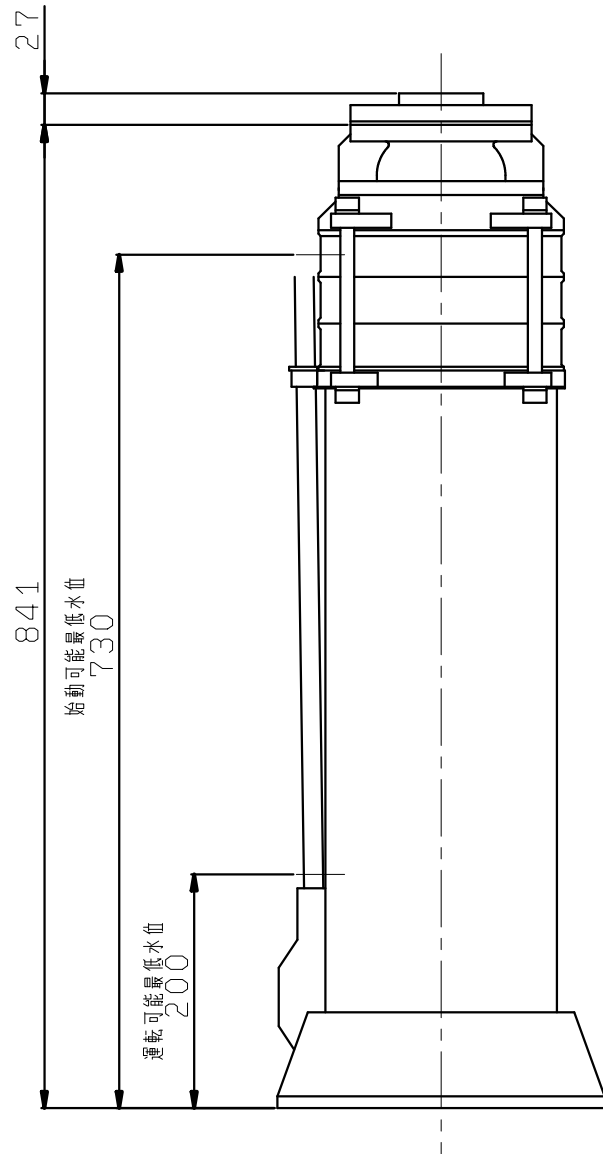
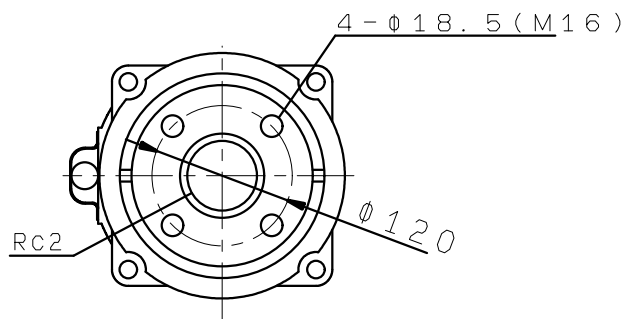
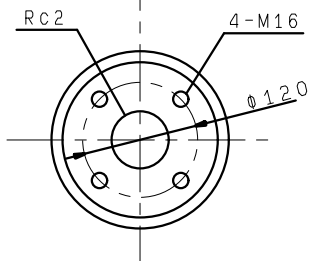
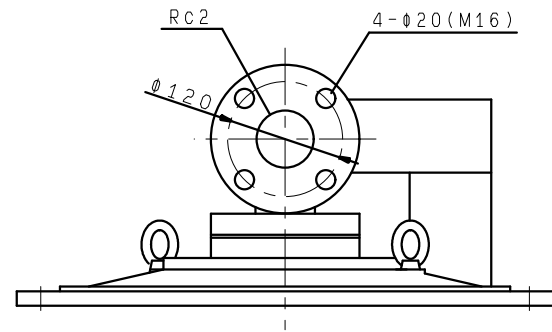
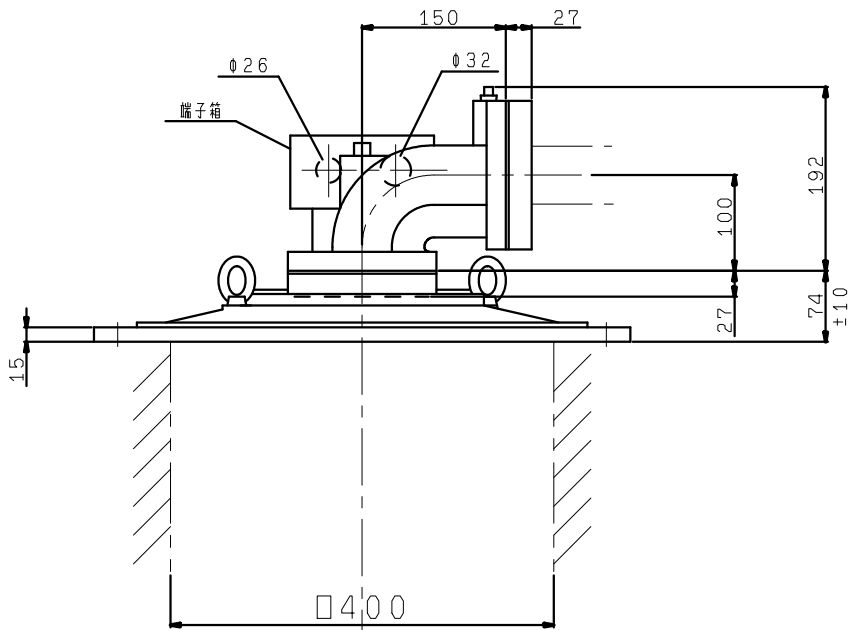
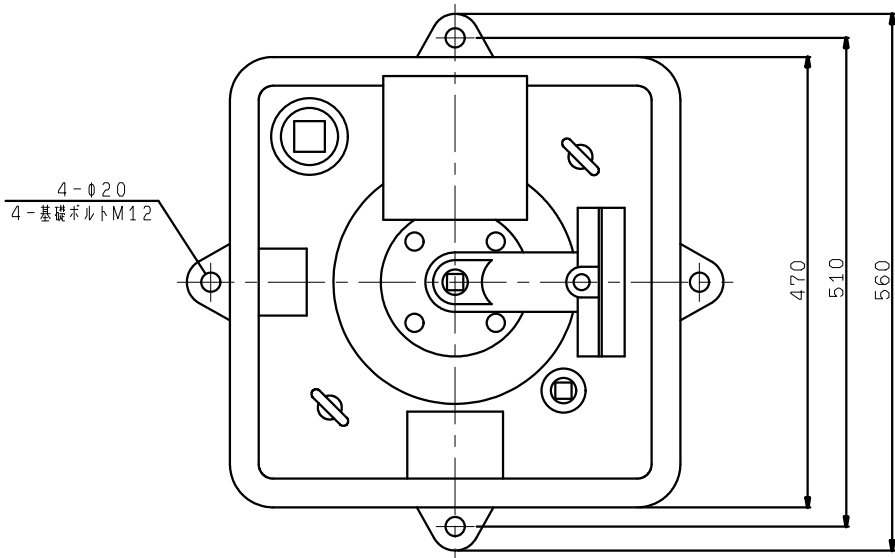


# KTU-506-5.5



# SDK-50-TB



KTU505/506-5.5F  
 KTU505/506-7.5F  
 KTU2-505/506-3.7F  
 (VC41, 42, 44, 45, 74, 75)

