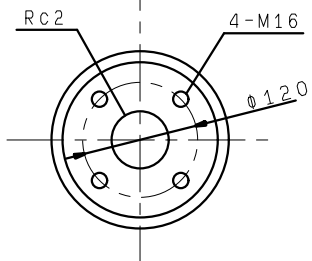
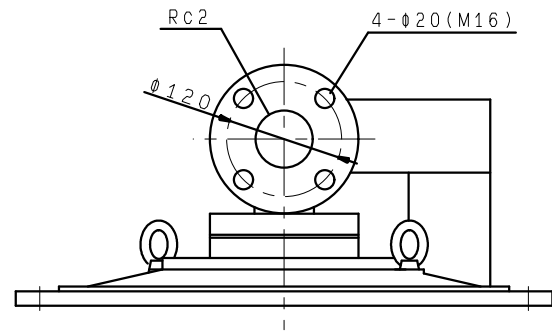
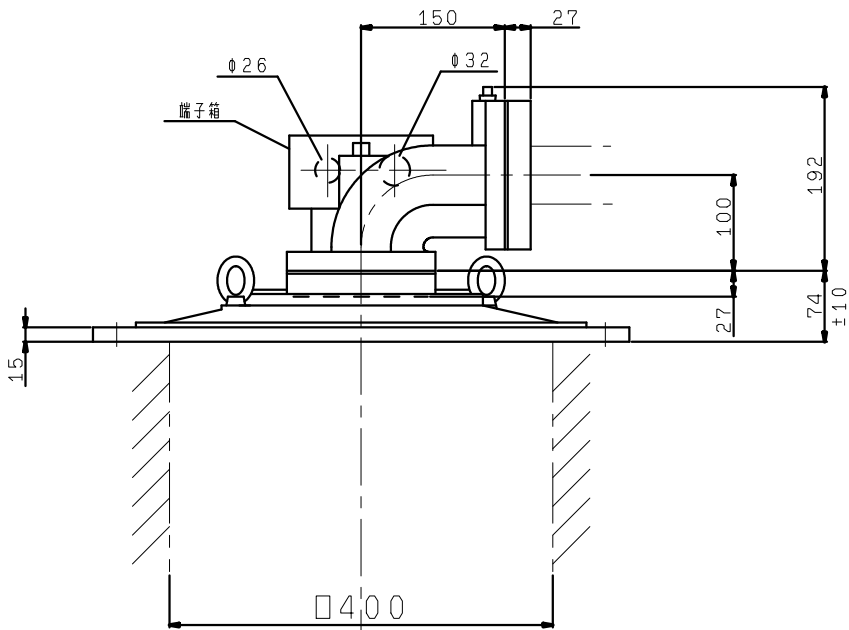
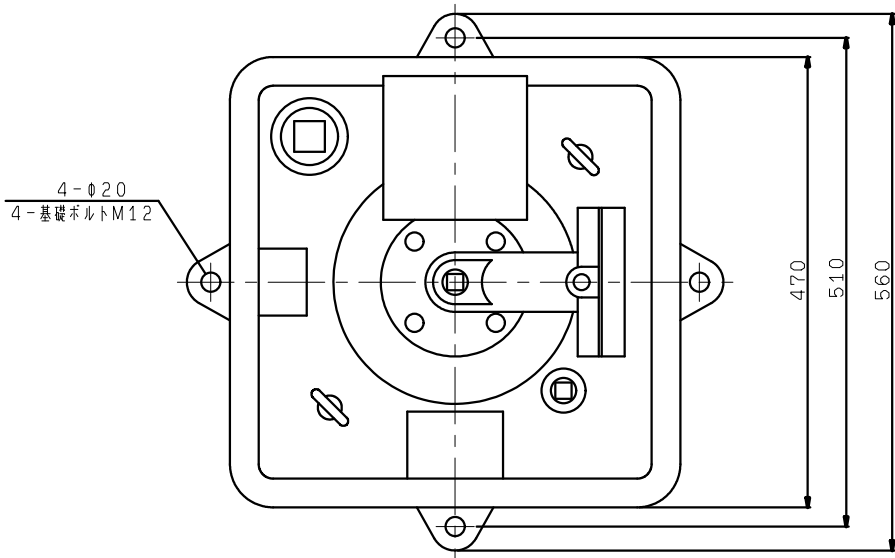
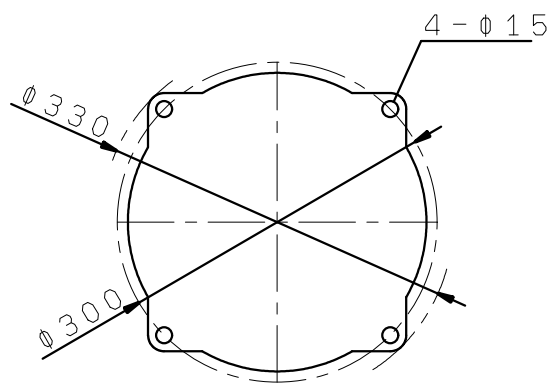
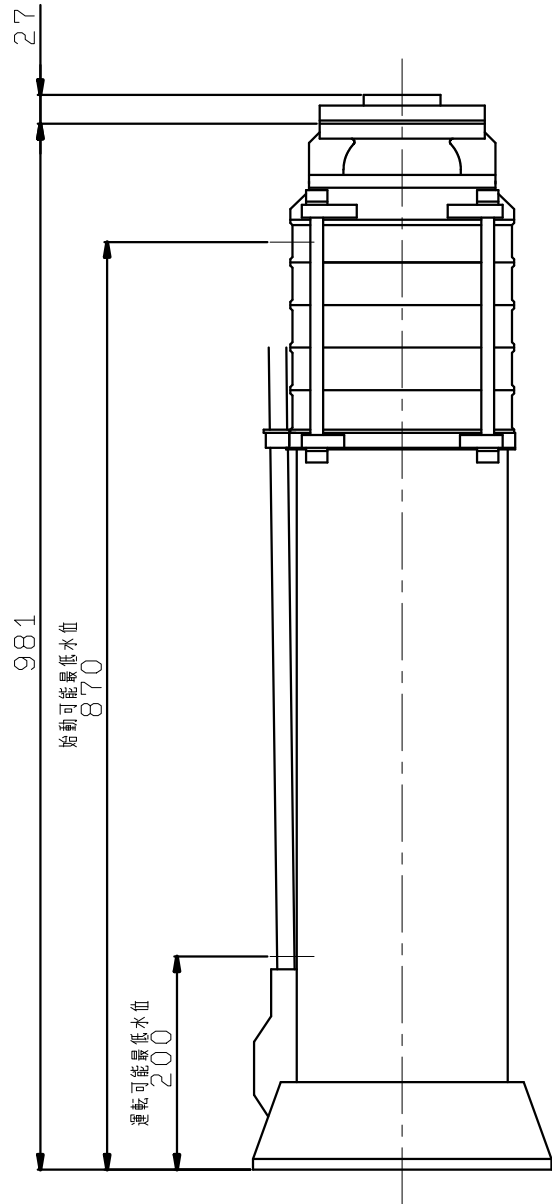
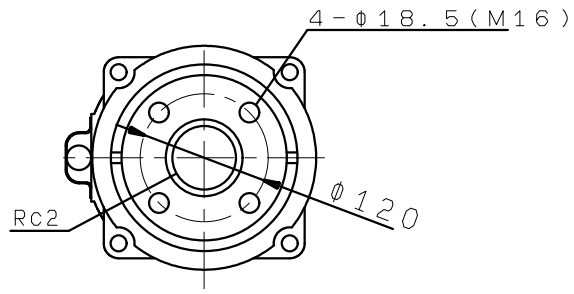


# SDK-50-TB



# KTU-505-7.5



KTU505/506-5.5F  
KTU505/506-7.5F  
KTU2-505/506-3.7F  
(VC90)

