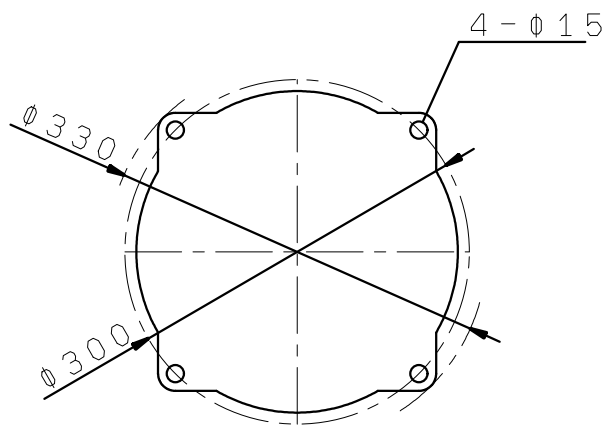
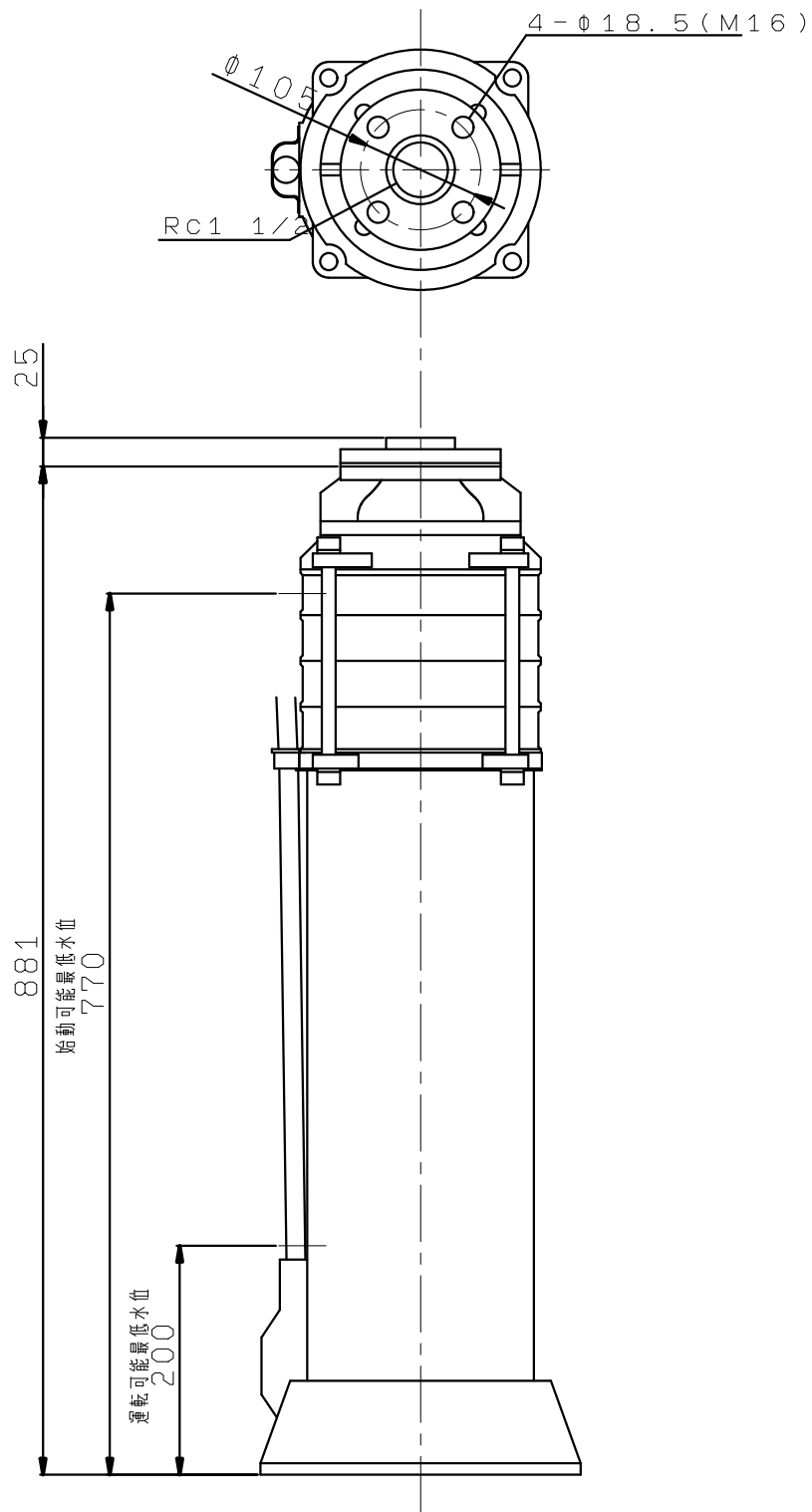
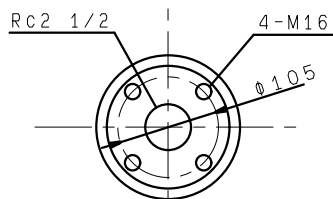
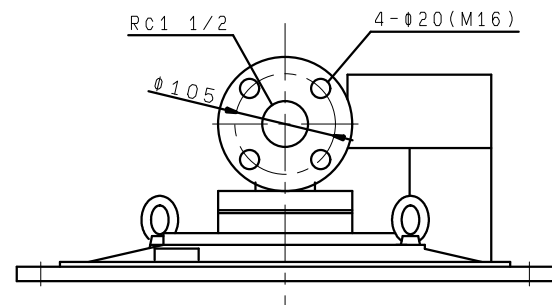
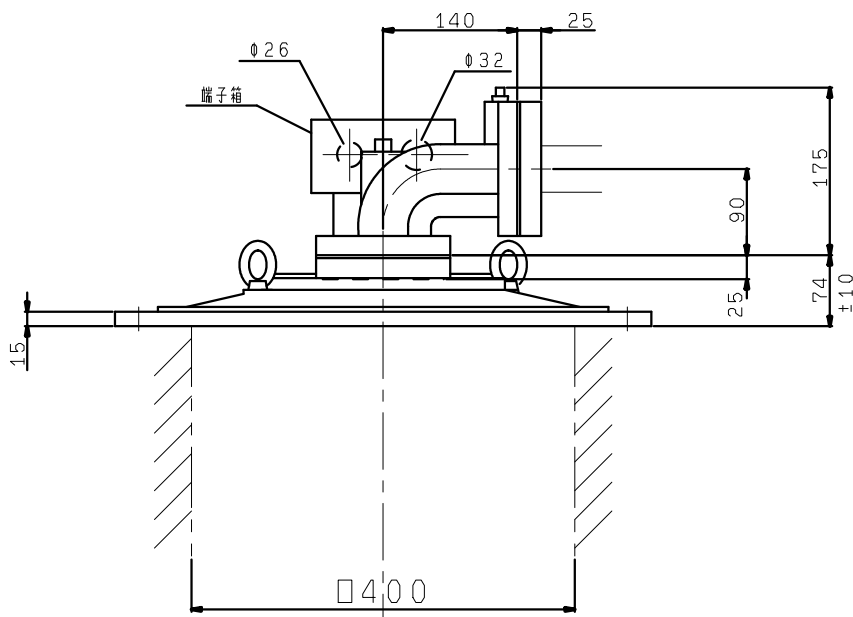
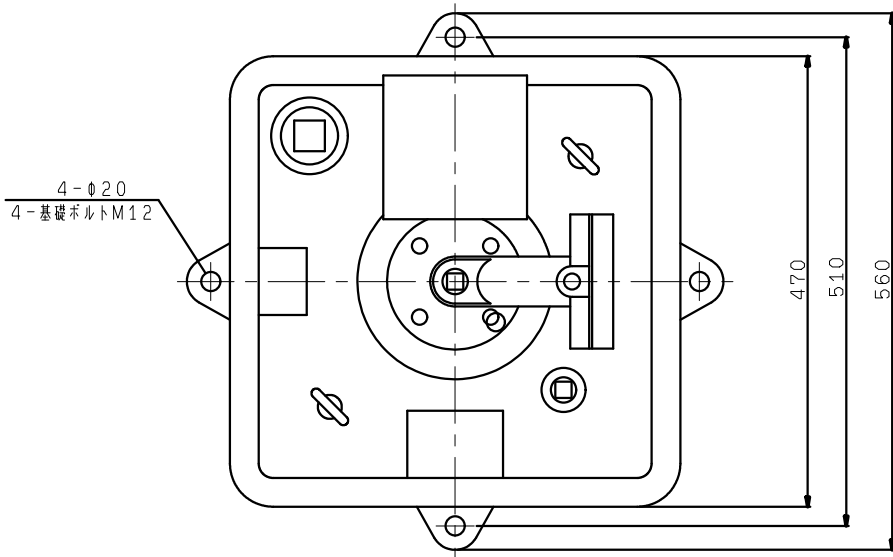


KTU-406-5.5



SDK-40-TB



KTU405/406-5. 5F
 KTU2-405/406-3. 7F
 (VC41, 42, 44, 45, 74, 75)

