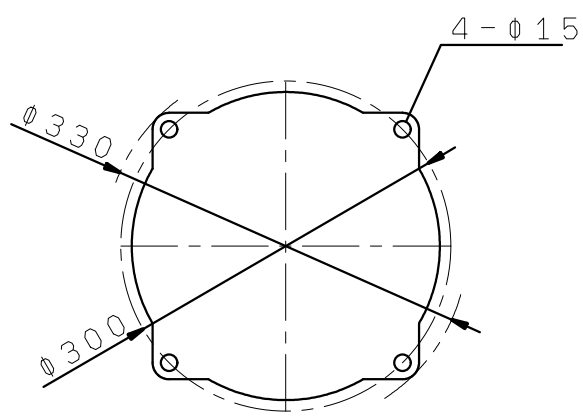
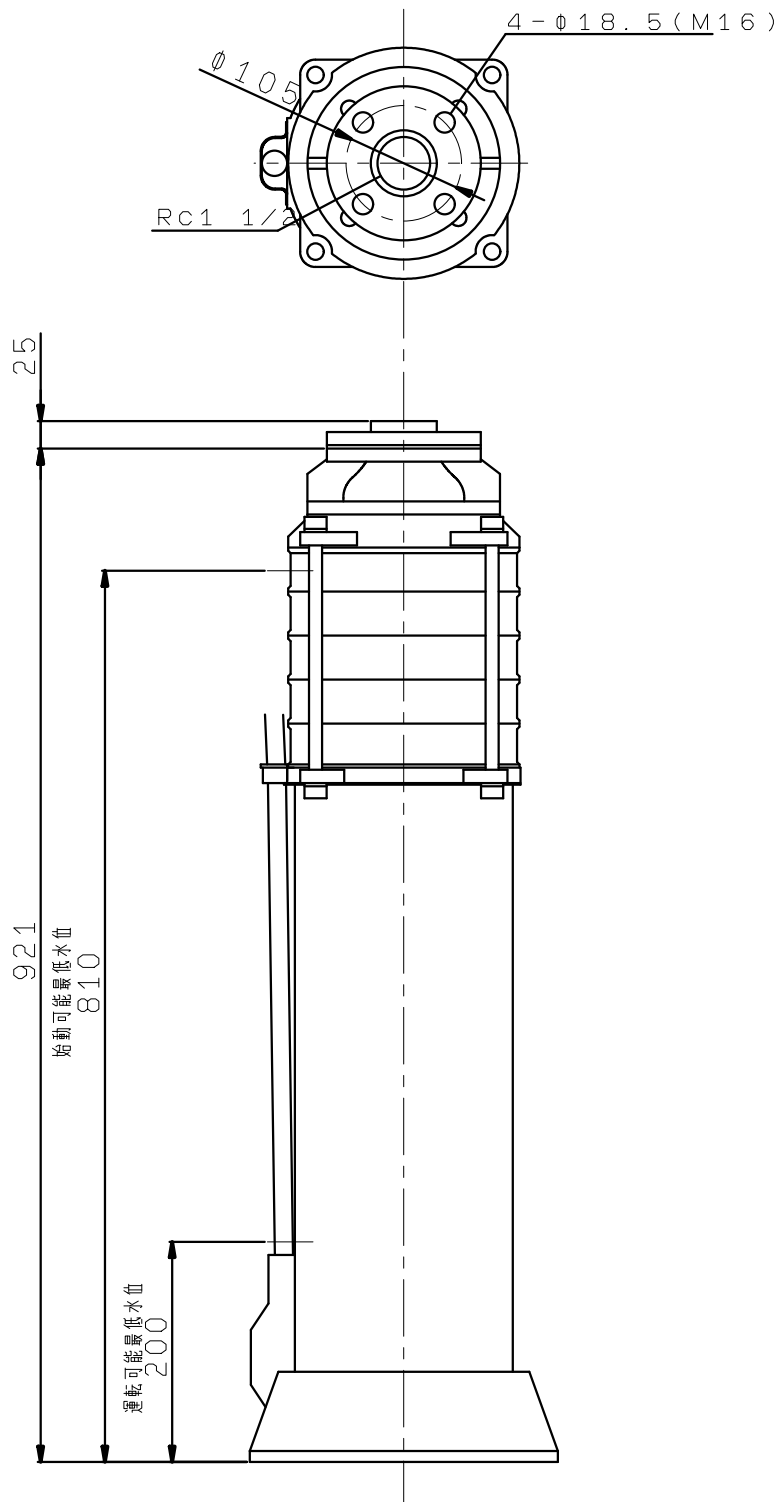
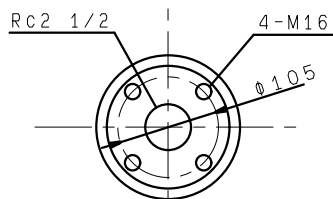
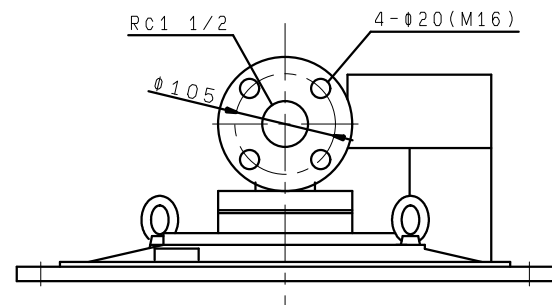
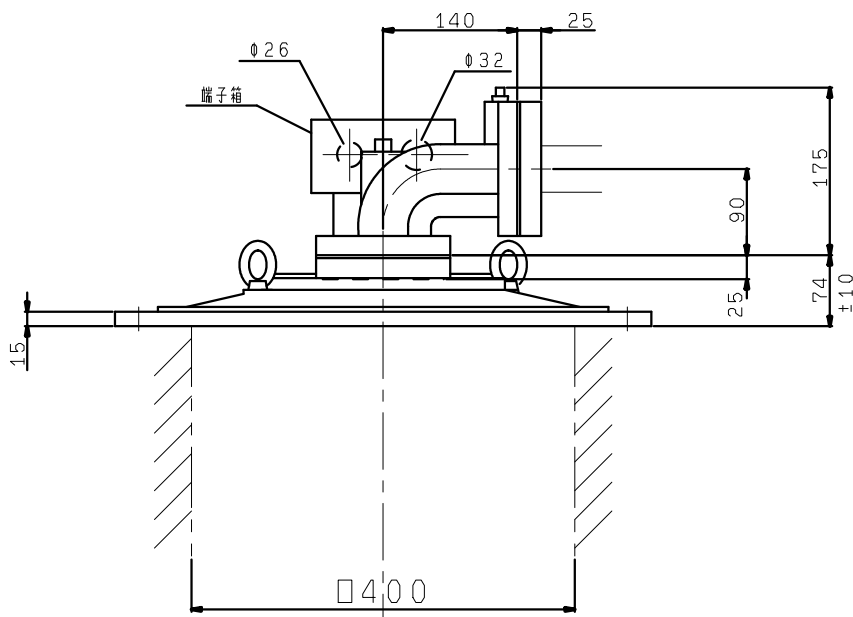
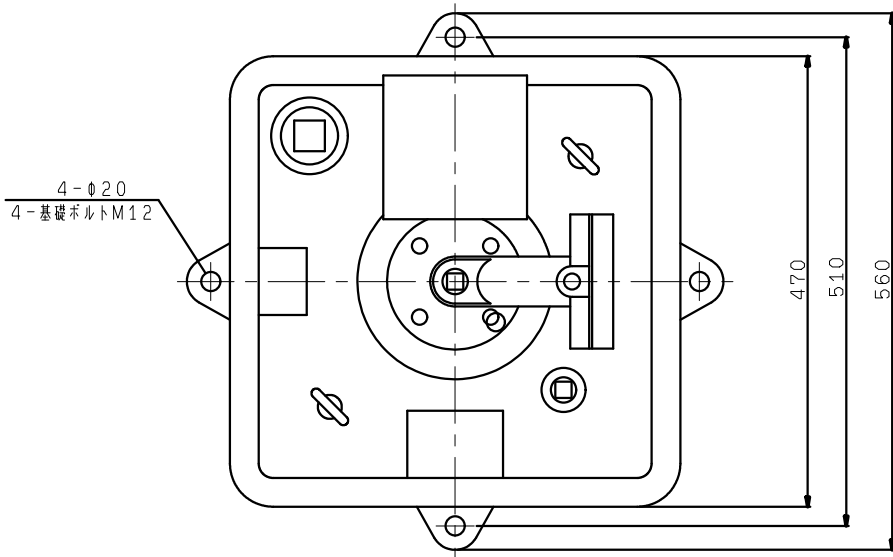


# KTU-405-5.5



# SDK-40-TB



KTU405/406-5. 5F  
 KTU2-405/406-3. 7F  
 (VC41, 42, 44, 45, 74, 75)

