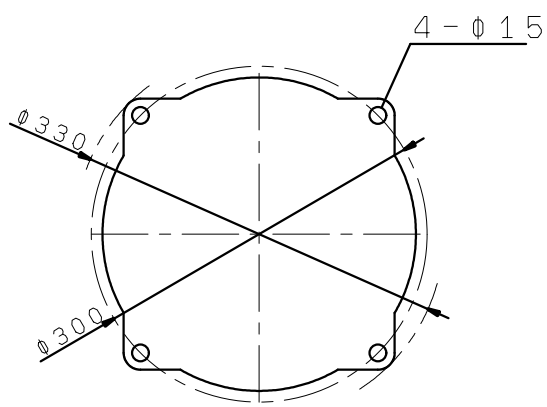
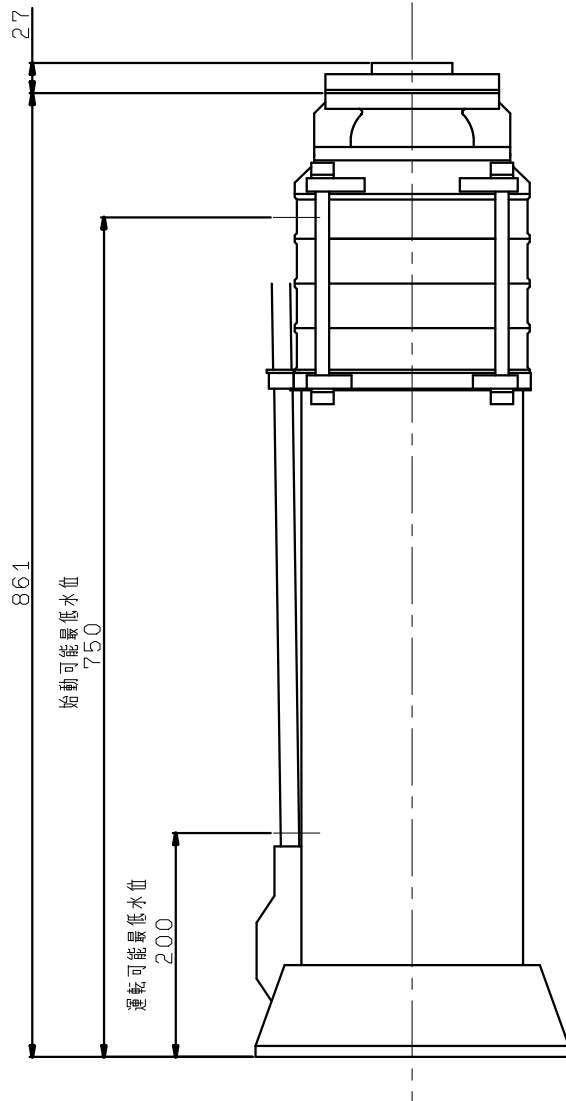
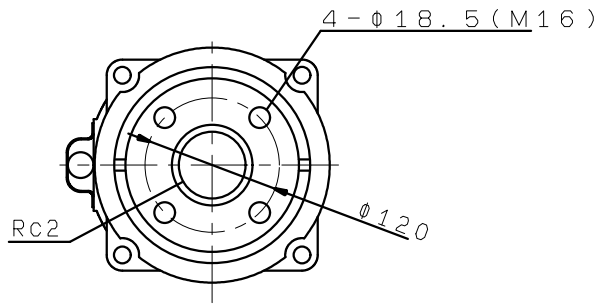
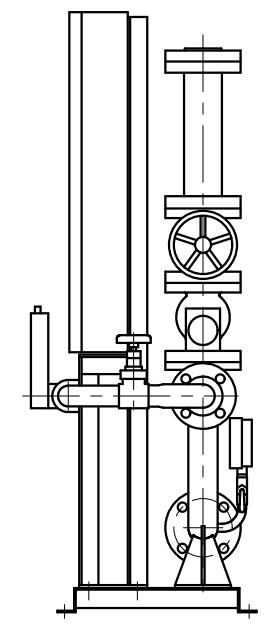
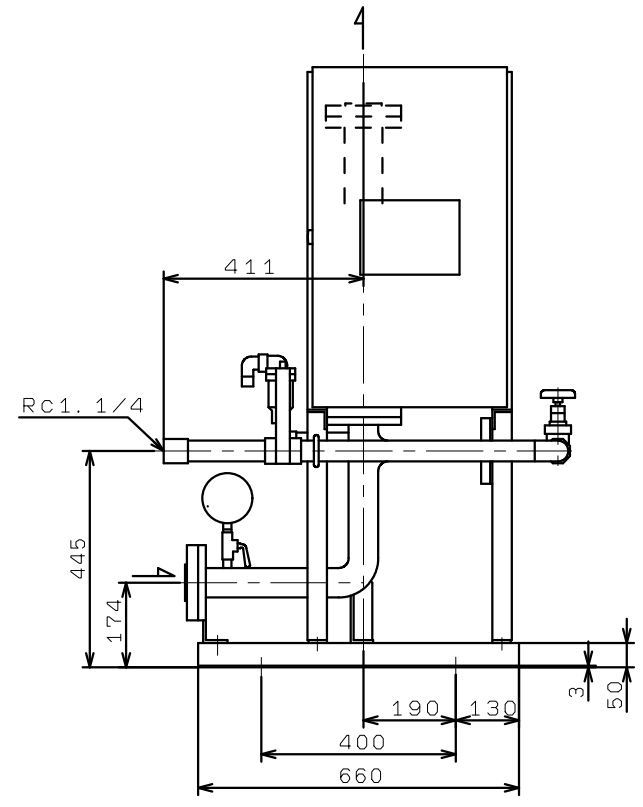
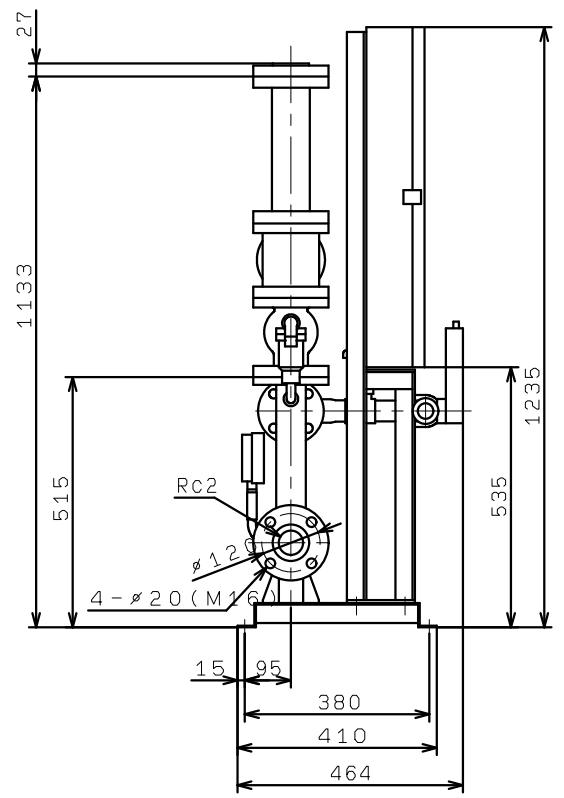
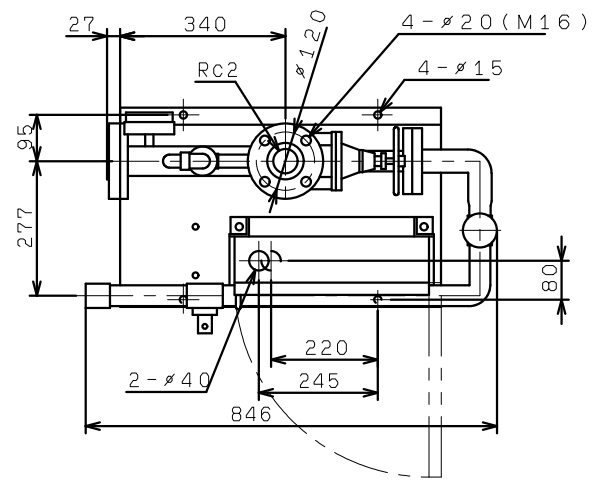


KTU2-505-3.7
KTU2-506-3.7



KTU505/506-5. 5F
 KTU505/506-7. 5F
 KTU2-505/506-3. 7F
 (VC41, 42, 44, 45, 74, 75)



SDK-50-TB

