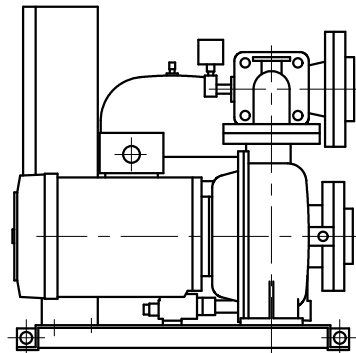
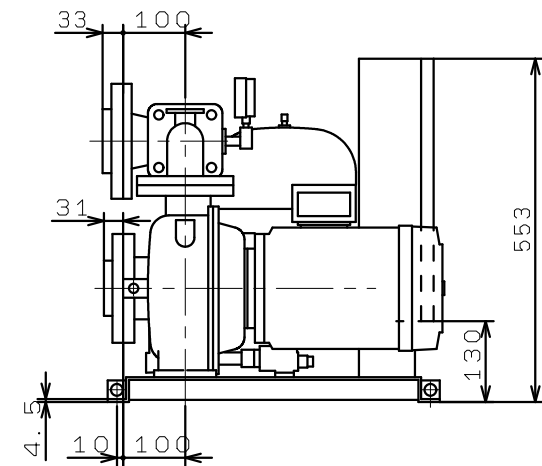
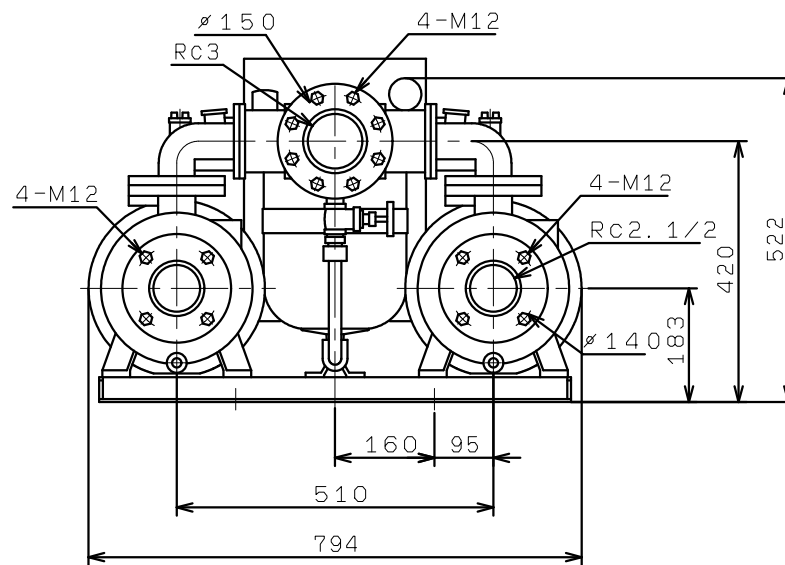
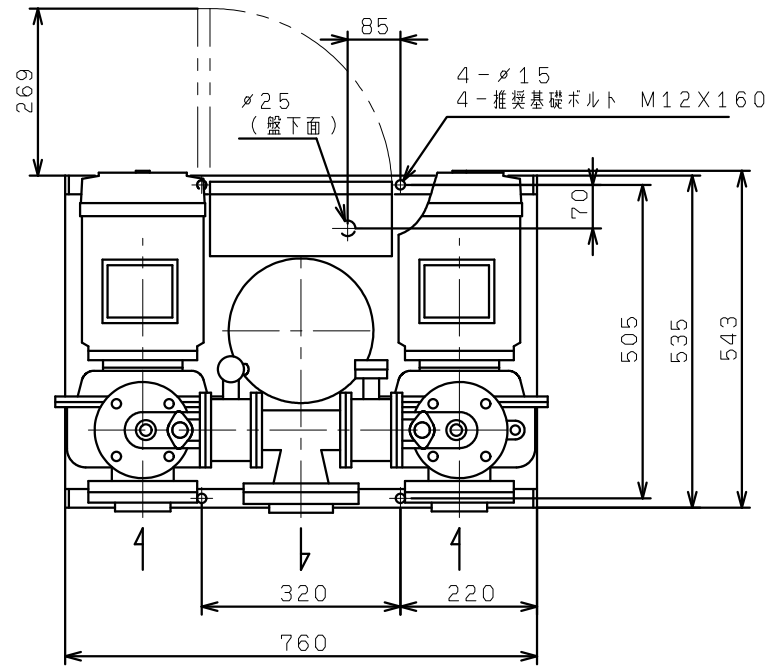


KB2-655P3.7
 KB2-656P3.7
 (VC41, 42, 43, 44, 47)



(制御盤正面図)

